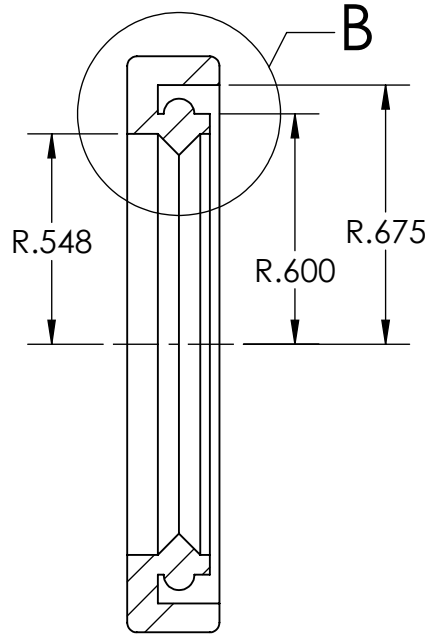
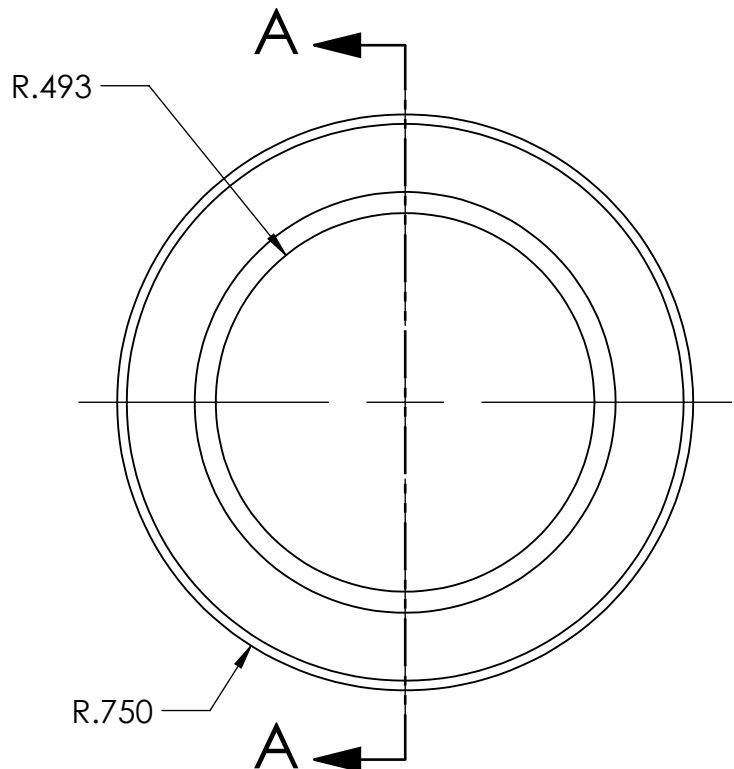


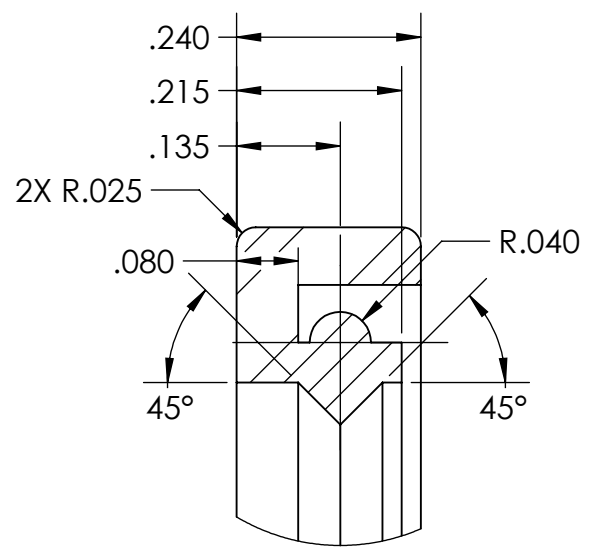
2 1

B

B



SECTION A-A



DETAIL B  
SCALE 4 : 1

A

A

- NOTES:
1. THE OIL SEAL IS MADE OF A SINGLE REVOLVE FEATURE.
  2. REFER TO THE TEXTBOOK FOR SKETCH DETAILS AND ORIGIN LOCATION.

DRAWN	D.P.	JOLIET JUNIOR COLLEGE		
DATE	9/1/2023			
REVISION A		TITLE: <b>ENGINE PROJECT PART</b>		
REVISION B				
UNITS	Inch			
MATERIAL	VITON	SIZE	DWG. NO.	REV
COMMENTS:		<b>A</b>	<b>Oil Seal</b>	
		SCALE: 2:1	WEIGHT: 0.01	SHEET 1 OF 1

2 1